

FRONT



CENTER LOCK
FLANGED HUB DIMENSIONS

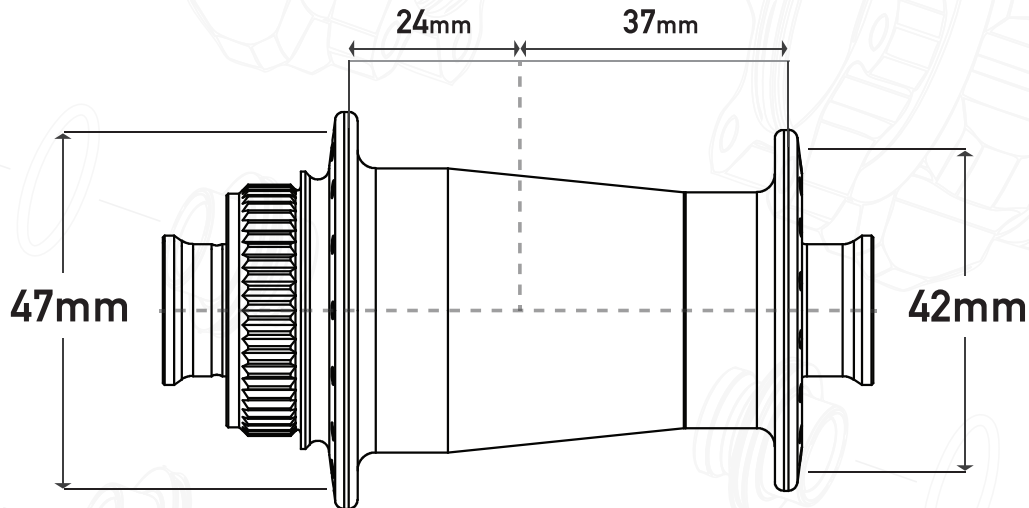
100MM

Non-drive flange diameter - 47mm

Drive-side flange diameter - 42mm

Non-drive center to flange - 24mm

Drive center to flange - 37mm



INDUSTRY NINE
COMPONENTRY



FRONT

CENTER LOCK
FLANGED HUB DIMENSIONS

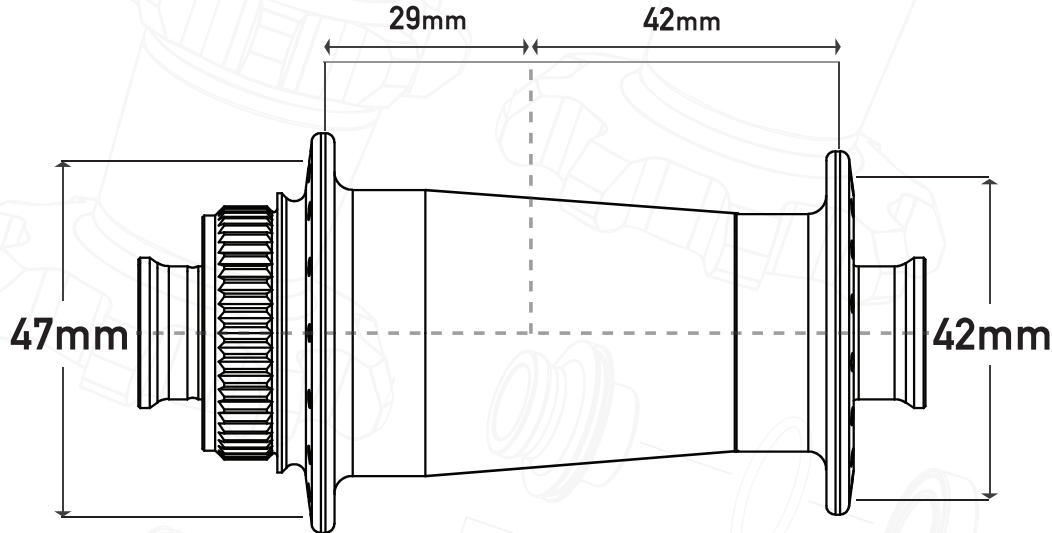
110_{MM} BOOST

Non-drive flange diameter - 47mm

Drive-side flange diameter - 42mm

Non-drive center to flange - 29mm

Drive center to flange - 42mm



REAR



CENTER LOCK
FLANGED HUB DIMENSIONS

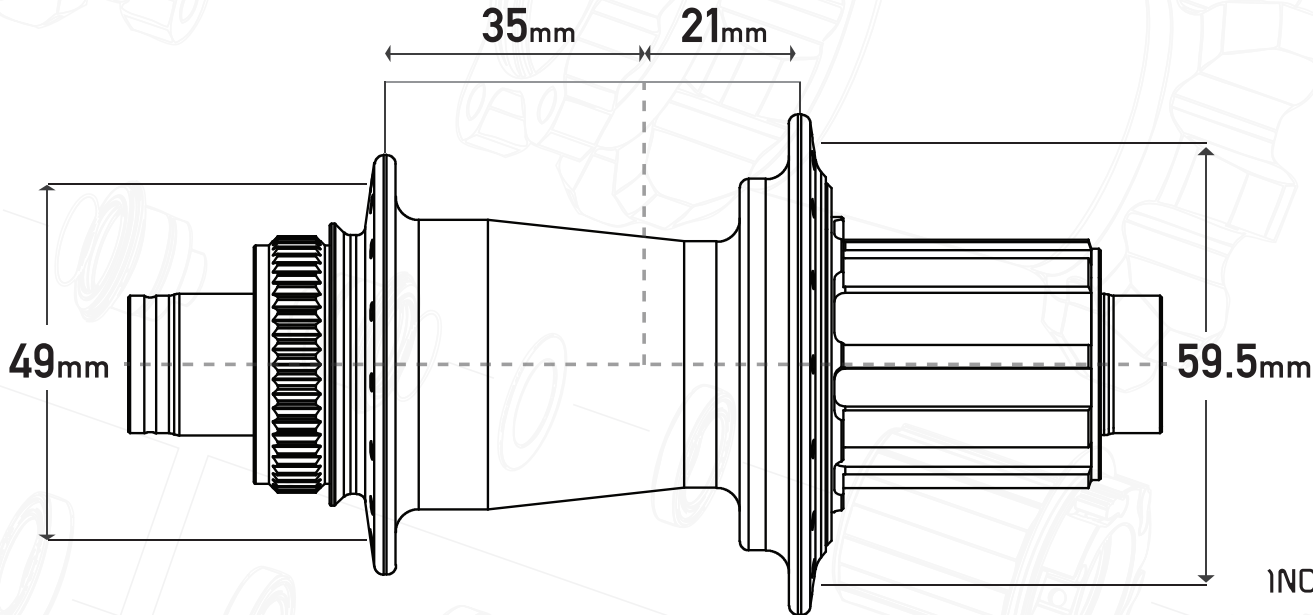
135/142MM

Non-drive flange diameter - 49mm

Drive-side flange diameter - 59.5mm

Non-drive center to flange - 35mm

Drive-side center to flange - 21mm



REAR



CENTER LOCK
FLANGED HUB DIMENSIONS

148_{MM} BOOST

Non-drive flange diameter - 49mm

Drive-side flange diameter - 59.5mm

Non-drive center to flange - 39mm

Drive-side center to flange - 24mm

